



**CENTURY
INTERNATIONAL
ARMS INC.**



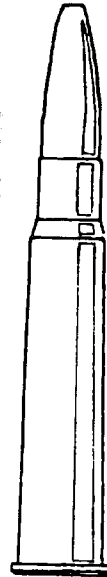
Lee Enfield Rifles

INCLUDES

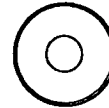
No. 1 Mark III,

No. 4 Mark I,

No. 4 Mark II



Actual
Size



IMPORTANT!

READ THIS MANUAL FIRST!

SAFETY FIRST!

Firearms can be dangerous and can cause serious injury or death. Proper and safe firearms handling is the responsibility of anyone who touches or uses a firearm. Safety has to be the primary consideration of anyone using a firearm.

When purchasing a firearm, you assume responsibility for its safe use, storage and transportation. Particularly, it is critical that firearms be kept from unauthorized use, and this includes children. Your responsibility also includes, but is not limited to, the need to protect yourself and others from injury resulting from the misuse or abuse of a firearm.

- At all times, treat firearms as though they are loaded.
- Always be aware of where the muzzle is pointed.
- At all times, carry your firearm in a way that will preclude accidental injury to yourself or others in the event you should stumble, fall, or drop the firearm.
- Before shooting, make certain the barrel has no obstructions.
- Do not allow a firearm or ammunition to be left unattended. Secure both the firearm and ammunition from access by unauthorized people, including children.

- When shooting, always be certain that the area beyond the target, including the backstop, is clear and safe. Also make certain that shots fired present no safety hazards for yourself, or others.
- Always use both ear and eye protection when shooting.
- Always use factory loaded ammunition designed for and intended to be used in the firearm you are shooting. It must be the proper caliber and type for your firearm.
- Always understand the proper operation of your firearm, and never allow the firearm to be used by anyone who does not understand how to use the firearm properly and safely.
- Never pass a firearm to another person unless the action is open and the firearm is in an unloaded and safe condition. Never put your finger into the trigger guard until you are ready to shoot.
- When not using the firearm, ensure that it is unloaded.
- Store your firearm unloaded and in an area which is secure from unauthorized access. Further, store ammunition separately, and in an area secure from unauthorized access.

HISTORY & TECHNICAL DATA

Lee Enfield rifles served Britannia for more than a half-century, including both world wars and innumerable skirmishes in between. They are among the most widely acclaimed of all military rifles in the world, and have been considered by many to have been the best bolt-action battle rifles on the planet during their stint in service, which stretched all the way into the 1950s.

The No. 1 MkIII, No. 4 MkI and No. 4 MKII rifles all use detachable 10-shot box magazines, and are chambered for the .303 British cartridge. Barrel lengths are 25.2 inches, and overall lengths are 44.5 inches. No. 1 MkIII rifles weigh 8.6 pounds, while the No. 4 variants weigh roughly 9.1 pounds, depending on density of wood in the stock.

The primary differences among these sub-models have to do with minor changes in some action parts, as well as major changes in the sights. The No. 1 MkIII rifles feature a protected post front sight and protected tangent type open rear barrel sight. The No. 4 variants also have protected front sight posts, but feature aperture rear sights. Other differences include minor modifications like changes in the mechanisms for bolt removal.

Lee Enfield rifles are cock-on-closing propositions, with the bolt locking lugs located aft on the bolt. The manual safety lever is located on the left rear of the receiver, and is in the "fire" position when rotated forward, or "safe" position when rotated to the rear. When in the "safe" position, the bolt handle is locked closed.

The .303 British cartridge is rimmed, and is suitable for most big game hunting in the world, except possibly for the largest of the dangerous game species — and even they have been dropped with this cartridge over the course of time.

When in good condition, Lee Enfield rifles are quite accurate. Because of their weight, these rifles do not deliver objectionable recoil for most shooters.

DISASSEMBLY

To disassemble any of the Lee Enfield rifle models, first remove the magazine and assure that the rifle is not loaded. Next, remove the bolt. This procedure differs among the several models. By action type, bolt removal steps are:

* No. 1, Mark III — Rotate the bolt handle counter-clockwise and then pull it all the way to the rear. Disengage the bolt head from the retaining spring by rotating it counter-clockwise until it clicks. Now the bolt handle can be pulled rearward and out of the receiver. Figure #1.

* No. 4, Mark I & No. 4 Mark II — Lift the rear sight to the vertical position and then depress the bolt release. Rotate the bolt head up until it is in line with the rib on the bolt and pull the bolt handle rearward and out of the receiver. Figure #2.

* No. 4, Mark I* (North American Mfg.) — Open the bolt and pull it rearward less than an inch until the bolt head is in the middle of a milled-out portion of the rail on the right

FIGURE #1

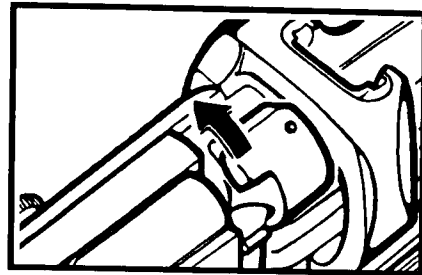
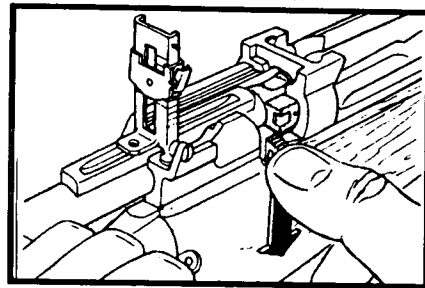
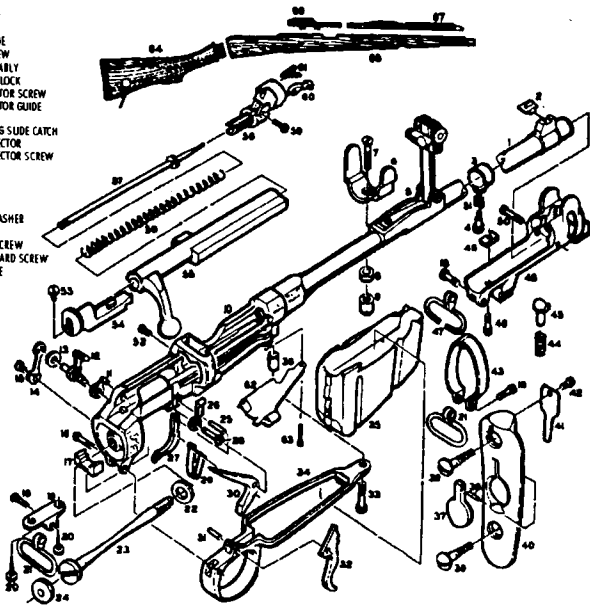


FIGURE #2



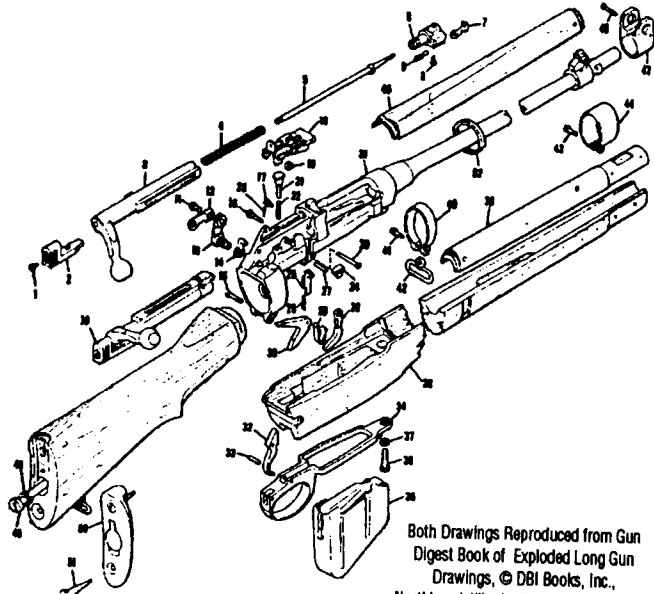
ZENF001 BARREL
 ZENF002 FORESIGHT BLADE
 ZENF024 FORESIGHT
 ZENF003 INNER BAND BLADE
 ZENF004 INNER BAND SCREW
 ZENF005 REARSIGHT ASSEMBLY
 ZENF054 REARSIGHT SLIDE LOCK
 ZENF058 REARSIGHT ELEVATOR SCREW
 ZENF056 REARSIGHT ELEVATOR GUIDE
 ZENF050 REARSIGHT LEAF
 ZENF05E REARSIGHT SPRING SLIDE CATCH
 ZENF006 REARSIGHT PROTECTOR
 ZENF007 REARSIGHT PROTECTOR SCREW
 ZENF009 PROTECTOR NUT
 ZENF010 RECEIVER
 ZENF011 SAFETY CATCH
 ZENF012 LOCKING BOLT
 ZENF013 SAFETY CATCH WASHER
 ZENF014 SAFETY SPRING
 ZENF015 SAFETY SPRING SCREW
 ZENF016 REAR TRIGGER GUARD SCREW
 ZENF017 STOCK BOLT PLATE



ZENF018 SWIVEL SCREW
 ZENF019 BUTT SWIVEL BRACKET
 ZENF020 SWIVEL BRACKET SCREW
 ZENF021 SLING SWIVEL
 ZENF022 STOCK BOLT WASHER
 ZENF023 STOCK BOLT
 ZENF024 STOCK BOLT WAD
 ZENF025 MAGAZINE CATCH PIN
 ZENF026 RETAINING SPRING
 ZENF027 MAGAZINE CATCH
 ZENF028 RETAINING SPRING SCREW
 ZENF029 SEAR SPRING
 ZENF030 SEAR
 ZENF031 TRIGGER PIN
 ZENF032 TRIGGER
 ZENF033 FRONT TRIGGER GUARD SCREW
 ZENF034 TRIGGER GUARD
 ZENF035 MAGAZINE
 ZENF036 FRONT GUARD SCREW BUSHING
 ZENF037 BUTT PLATE TRAP
 ZENF038 BUTT PLATE TRAP PIN
 ZENF039 BUTT PLATE SCREW
 ZENF040 BUTT PLATE
 ZENF041 BUTT PLATE TRAP SPRING

ZENF042 BUTT PLATE TRAP SPRING SCREW
 ZENF043 CUTLER BAND
 ZENF044 FORE END STUD SPRING
 ZENF045 FORE END STUD
 ZENF046 RACE NOSE CAP SCREW
 ZENF047 PILING SWIVEL
 ZENF048 NOSE CAP
 ZENF049 NOSE CAP NUT
 ZENF050 FRONT NOSE CAP SCREW
 ZENF051 INNER BAND SPRING SCREW
 ZENF052 EJECTOR SCREW
 ZENF053 STRIKER SCREW
 ZENF054 COCKING PIECE
 ZENF055 BREECHBOLT
 ZENF056 MAIN SPRING
 ZENF057 STRIKER
 ZENF058 BREECHBOLT HEAD
 ZENF059 EXTRACTOR SCREW
 ZENF060 EXTRACTOR
 ZENF061 EXTRACTOR SPRING
 ZENF062 CUT OFF
 ZENF063 CUT OFF SCREW
 ZENF064 BUTT STOP
 ZENF065 FORE END

ZENF066 REAR HANDGUARD
 ZENF067 FRONT HANDGUARD
 ZENF068 BAYONET TIPS
 ZENF069 REARSIGHT PIN
 ZENF070 REARSIGHT WASHER
 ZENF071 FRONT HANDGUARD CAP
 ZENF072 REARSIGHT SPRING SCREW
 ZENF073 BAYONET GUILTS
 ZENF074 REARSIGHT SPRING
 ZENF075 REARSIGHT ADJUSTMENT WORM
 ZENF076 REARSIGHT ADJUSTMENT WORM PIN
 ZENF077 MAG BOX GLIDE SPRING
 ZENF078 MAGAZINE SPRING AND FOLLOWER
 ZENF079 REARSIGHT SLIDE
 ZENF080 BAYONET SCAM BAR STAPLES
 ZENF081 REARSIGHT BAND
 ZENF082 DISC
 ZENF083 MARKING DISC SCREWS
 ZENF084 REARSIGHT BLADE
 ZENF085 CUT OFF LEVER
 ZENF086 REARSIGHT LEAF PIN
 ZENF087 BAYONET SCREW
 ZENF088 FRONT STOCK LOCKING LUG
 ZENF089 GRIMPAE LAUNCHER PIECE



ZE40001 STRIKER SCREW
 ZE40002 COCKING PIECE
 ZE40003 BREECHBOLT (STRIPPED)
 ZE40004 MAIN SPRING
 ZE40005 STRIKER
 ZE40006 BREECHBOLT HEAD
 ZE40007 EXTRACTOR
 ZE40008 EXTRACTOR SCREW
 ZE40009 EXTRACTOR SPRING
 ZE40010 BOLT (ASSEMBLED)
 ZE40011 LOCKING BOLT
 ZE40012 LOCKING BOLT SPRING
 ZE40013 LOCKING BOLT
 ZE40014 SAFETY CATCH
 ZE40015 REAR GUARD SCREW
 ZE40016 MAGAZINE CATCH SCREW
 ZE40017 EJECTOR SCREW
 ZE40018 1/4 IN. 1 REAR SIGHT
 ZE40019 STRIKER
 ZE40020 REARSIGHT HINGE PIN
 ZE40021 SIGHT DEFENT PLUMBER
 ZE40022 DEFENT SPRING
 ZE40023 HINGE PIN LOCK PIN

ZE40024 BOLT RELEASE STOP
 ZE40025 BOLT RELEASE
 ZE40026 BOLT RELEASE SPRING
 ZE40027 SEAR HINGE PIN
 ZE40028 MAGAZINE CATCH
 ZE40029 SEAR SPRING
 ZE40030 SEAR
 ZE40031 BODY (RECEIVED)
 ZE40032 TRIGGER
 ZE40033 TRIGGER PIN
 ZE40034 TRIGGER GUARD
 ZE40035 MAGAZINE
 ZE40036 FRONT GUARD SCREW
 ZE40037 GUARD SCREW LOCK WASHER
 ZE40038 FORE END
 ZE40039 FRONT HANDGUARD
 ZE40040 SWIVEL BAND
 ZE40041 SWIVEL BAND SCREW
 ZE40042 SLING SWIVEL
 ZE40043 UPPER BAND SCREW
 ZE40044 UPPER BAND
 ZE40045 REAR HAND GUARD
 ZE40046 FORESIGHT PROTECTOR SCREW

ZE40047 FORESIGHT PROTECTOR
 ZE40048 STOCK BOLT
 ZE40049 STOCK BOLT STOCK WASHER
 ZE40050 BUTT PLATE
 ZE40051 BUTT PLATE SCREW (2)
 ZE40052 LOWER BAND
 ZE40053 BUTT SWIVEL SCREW
 ZE40054 BUTT SWIVEL
 ZE40055 FRONT HANDGUARD BAND
 ZE40056 FORE END PIN
 ZE40057 FORE END BAND STRAP
 ZE40058
 ZE40059 OILERS
 ZE40060 FORE END BAND
 ZE40061 REARSIGHT SLIDE
 ZE40062 BAYONET GUILTS
 ZE40063 FRONT SIGHT RING
 ZE40064 BRUSHES
 ZE40065 BUTT PLATE DOOR
 ZE40066 FRONT SIGHT BLADE
 ZE40067 FOLLOWER
 ZE40068 FOLLOWER AND SPRING
 ZE40069 BUTT PLATE TRAP DOOR SPRING
 ZE40070 BARREL

Both Drawings Reproduced from Gun Digest Book of Exploded Long Gun Drawings, © DBI Books, Inc., Northbrook, Illinois. Used with permission

CARE & CLEANING

side of the receiver. Rotate the bolt head upward until it stops and then pull the bolt rearward out of the receiver. Figure #3.

Once the bolt is out of the rifle, the bolt head easily unscrews for replacement or cleaning. Further disassembly of the bolt requires special tooling and is not advised unless necessary.

To disassemble the magazine for any of the Lee Enfield rifles, push the rear of the follower down far enough for the front to clear the tab-

FIGURE #3

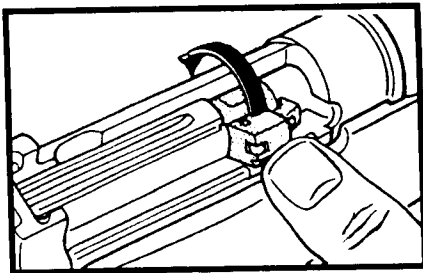
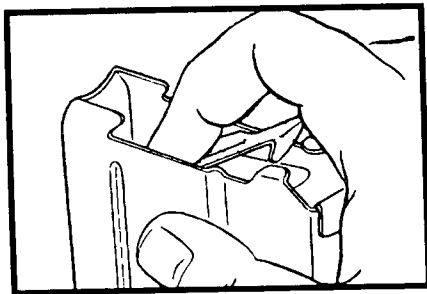


FIGURE #4



like projections on the lip of the box. Next, ease out the follower and spring. Figure #4.

Reassembly of the bolt and magazine components is the reverse procedure of disassembly, and there are no unwanted surprises in putting the parts back together. However, the bolt head must be screwed into the bolt body all the way and then backed off slightly before the bolt will fit back into the receiver properly.

Further disassembly normally is not necessary for routine cleaning and maintenance.

Because Lee Enfield rifles were designed to be used by militaries around the world in all climates, they require little special care and cleaning. When not in use, it is wise to store these rifles in a cool, dry place. Exposed metal surfaces should be coated with some form of oil or grease to prevent rust.

To clean the Lee Enfield rifle, remove the bolt from the action and assure that the rifle is completely unloaded. First it is necessary to clean the bore. To accomplish this, it is necessary to have a cleaning rod long enough to go through the full length of the barrel and to have cloth patches (these can be made from cotton or cotton-blend cloth and should be large enough to rub against the bore of the rifle as they are pushed by the cleaning rod, but not so large as to cause severe resistance when used).

Chronologically, a patch soaked with powder solvent should be used first. Any of the commercially available solvents will work well if non-corrosive ammunition has been used. If the ammunition used has corrosive priming, it is necessary to neutralize the salts which are byproducts of firing. This can be done with solvents designed specifically for corrosive priming, or liberal use of soap (or detergent) and water will work. Ammonia-based window cleaners also work well.

Once the barrel has been swabbed thoroughly with solvent/cleaner (it might take several passes with more than one patch to accomplish this), the bore should be dried with a clean patch (or patches) and then if the rifle is to be stored, the bore should be coated with a thin oil.

Other metal parts in the action and magazine can be cleaned with the same materials and in the same sequence, and the remainder of the exposed metal parts (like barrel, buttplate and sights) can be cleaned and then given an oil coating.

Periodically, it is also good to clean the bore with some form of solvent that removes any copper fouling left when the jacketed bullets are shot. There are copper de-fouling solvents available commercially, or any strong ammonia-based cleaner can be used.

LOADING & UNLOADING

There are three ways to load Lee Enfield rifles. To load one cartridge at a time, lift the bolt handle up, then pull the bolt all the way to the rear until it stops. Ammunition can be loaded one cartridge at a time by inserting a round directly into the chamber and closing the bolt.

Or, the magazine can be removed from the rifle and cartridges can be loaded into it by pushing downward on the magazine follower until the cartridge clicks into place under the lips of the magazine box. This can be repeated until the 10-shot magazine is filled. Once the magazine is loaded, it can be inserted into the opening on the bottom of the receiver. When inserted properly, it clicks into place. To remove the magazine, depress the magazine release lever in front of the trigger in the trigger guard housing. While depressing the lever, pull downward on the magazine box.

Or, Lee Enfield rifles can be loaded from a stripper clip. To do this, open the bolt and insert the stripper clip into the jaws which are milled into the top of the receiver at the rear of the ejection port. Once the clip is pushed into the milled opening, push downward on the stack of cartridges, forcing them down and into the magazine. When all of the cartridges are loaded into the magazine, remove the empty stripper clip.

Lee Enfield rifles are cock-on-closing propositions, which means the striker spring is compressed during the final forward movement of the bolt. It takes a noticeable amount of force to do this, but it never should be hard to accomplish. This means that if it is difficult to close the bolt totally, inspect the ammunition, barrel, chamber and action for any obstructions or debris and do not attempt to fire the rifle until any problems have been eliminated.

To fire the rifle, pull rearward on the trigger. Then extract and eject the fired cartridge case. To do this, simply cycle the action.

To unload a Lee Enfield rifle, it is necessary to open the bolt and pull it all the way to the rear, removing any cartridge or case that might have been in the chamber. Next, depress the magazine release lever inside the trigger guard and remove the magazine. To remove cartridges from the magazine, merely push forward on the base of the top round, forcing it out of the box. Repeat this procedure until the magazine is empty.

LIABILITY

Lee Enfield rifles are classified as firearms and could cause harm or death if not used in a proper manner. They are sold by us with the specific understanding that we are not legally responsible in any manner for their improper use, negligent handling or improper resale under local laws and or regulations. Century International Arms, Inc. and its successors and assigns shall not be held liable for the malfunctioning of the firearm or for physical injury or property damage resulting in whole or in part from including, but not limited to, (a) criminal or negligent discharge, (b) improper or careless handling, (c) unauthorized modifications, (d) defective, improper, hand loaded or reloaded ammunition, (e) corrosion, (f) neglect, (g) other influences beyond our immediate or direct control. This limitation applies regardless of whether liability is asserted on the basis of contract, negligence or strict liability (including any failure to warn). Under no circumstances shall Century International Arms, Inc., be liable for incidental or consequential damages, such as loss of use of property, commercial loss or loss of earnings or profits.



**CENTURY
INTERNATIONAL
ARMS INC.**

P.O. Box 714

St. Albans, Vermont 05478

USA 1-800-258-8879